



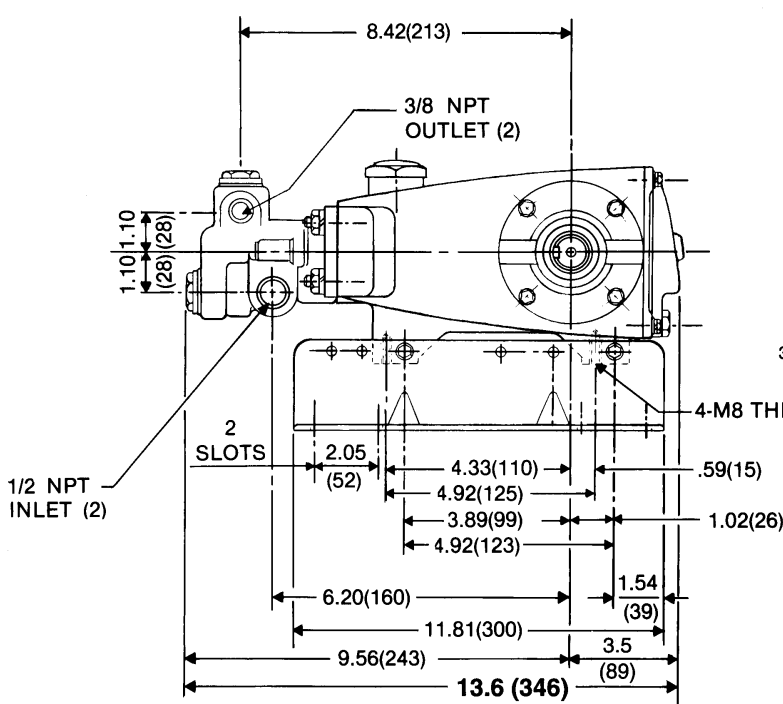
TECH BULLETIN

048
06/87

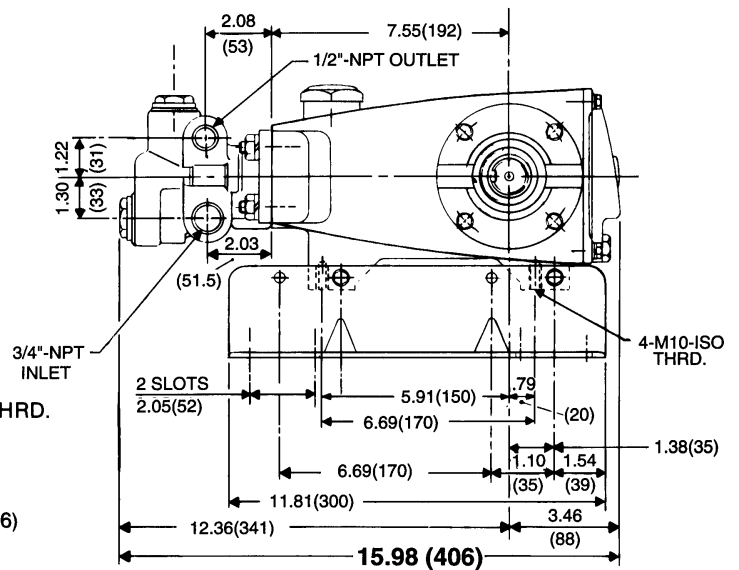
Published regarding engineering changes and improvements

SUBJECT: Valve Plug Dimension Change

For added ease in servicing the valves on the 10FR and 15FR plunger pumps, we have extended the hex head of the plug by **4mm**. We will continue to use the same part numbers **43851** for chromed and **43850** for unchromed. The longer head will start with 5860101 manufacture date. Please update your catalogs with this data.



Models 510, 530, 550, 580



Models 650, 654, 1050

CAT PUMPS
Technical Services Department

Rev. 04/96