



# TECH BULLETIN

069  
8/94

*Published regarding engineering changes and improvements*

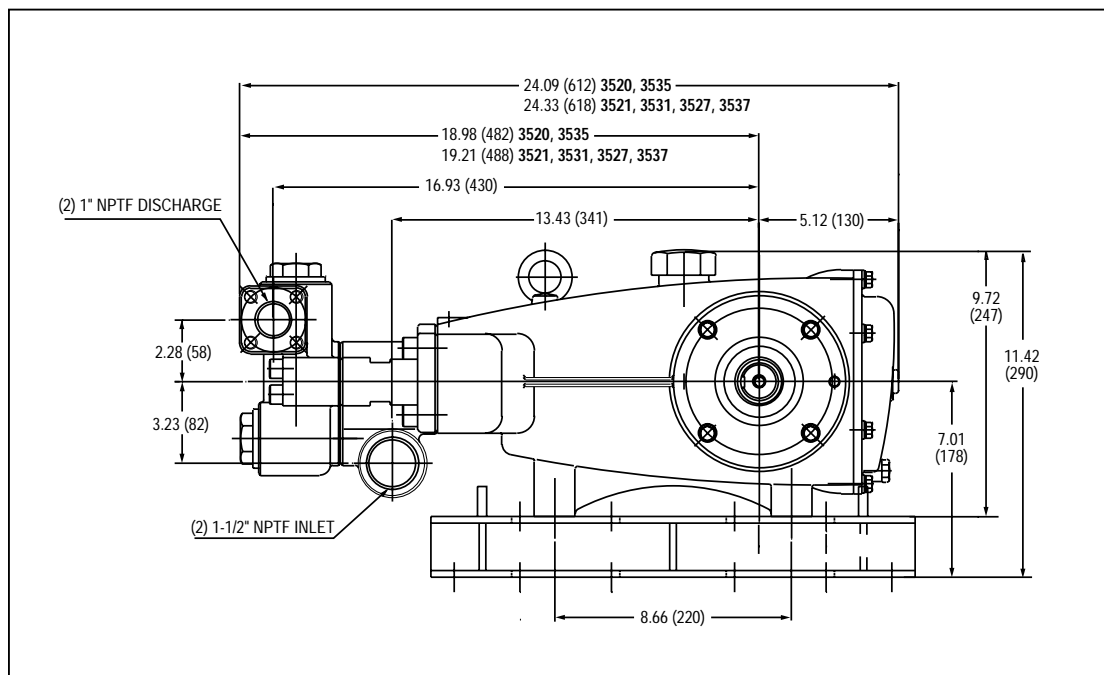
**SUBJECT:** Forged Extended Manifolds - 35PFR

To provide added strength, enhance quality control and provide better appearance, the 3520 and 3535 pump inlet and discharge manifolds will now be a forged extended design.

Additionally, the 3521, 3527, 3531 and 3537 pumps will have a new extended cast manifold.

To properly mount these new extended manifolds onto the pump, longer socket head screws are necessary. The old inlet and discharge manifolds will be phased out and must be replaced with the new discharge manifold plus longer screws.

See the revised dimensional drawing for the new overall pump length. See reverse side for new part numbers and effective dates for this change.



Models 3520, 3521, 3527, 3535, 3531, 3537

CAT PUMPS  
Technical Services Department

Rev. 06/04

Model	Old Part Number		Current Part Number		Qty Req.	Date
3527	44613	Discharge Manifold	46335	Discharge Manifold	1	494
	89628	M12x65 Screw	89981	M12x70 Screw		
	44206	Inlet Manifold	● 45124	Inlet Manifold	1	594
3537	44613	Discharge Manifold	46335	Discharge Manifold	1	D93
	89628	M12x65 Screw	89981	M12x70 Screw	8	
	44206	Inlet Manifold	● 45124	Inlet Manifold	1	D93
3521	45371	Discharge Manifold	46326	Discharge Manifold	1	D93
	89628	M12x65 Screw	89981	M12x70 Screw	8	
	45365	Inlet Manifold	45365	Inlet Manifold	1	194
3531	45371	Discharge Manifold	46326	Discharge Manifold	1	194
	89628	M12x65 Screw	89981	M12x70 Screw	8	194
	45365	Inlet Manifold	45365	Inlet Manifold	1	194

Model	Old Part Number		Old Extended Part Number		Date	New Forged Extended Part Number		Qty Req.	Date
3520	44725	Dschg Mfld	46340	Dschg Mfld	194	46394	Dschg Mfld	1	594
	89573	M12x65 Screw	89980	M12x70 Screw		89980	M12x70 Screw	8	
	44530	Inlet Mfld	[46346]	Inlet Mfld	194	● 46392	Inlet Mfld	1	594
3535	44725	Dschg Mfld	46340	Dschg Mfld	194	46394	Dschg Mfld	1	494
	89573	M12x65 Screw	89980	M12x70 Screw		89980	M12x70 Screw	8	
	44530	Inlet Mfld	[46346]	Inlet Mfld	194	● 46392	Inlet Mfld	1	494
	44738	Plug	44738	Plug		* 46444	Valve Plug	6	

\* Old style plugs may be used in new style manifold.

- Review Tech Bulletin 50 for additional information on spacer with coil spring.

[ ] Individual parts no longer available.