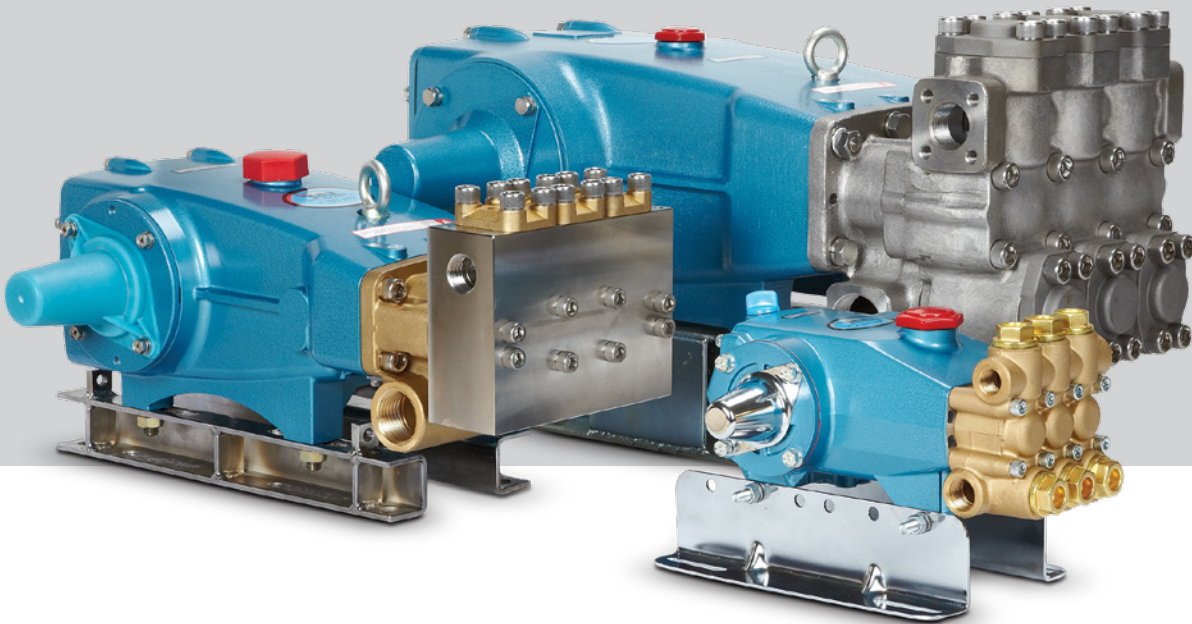


# The Cat Pumps Difference

World Leader in Triplex High-Pressure Pumps



Product Quality, Reliability and Support You Expect

[www.catpumps.co.uk](http://www.catpumps.co.uk)

# The Cat Pumps Difference

Quality is evident in every design detail. Our products are designed and built to be the industry's most dependable and longest-lasting available.

## Manifolds

- Precision-machined high-strength manifolds provide a superior sealing surface for consistently longer seal life when compared to competitive designs.
- Manifolds are available in different materials, meeting a variety of application requirements: brass, nickel aluminum bronze, 304 and 316 stainless steel, duplex stainless steel and others on request.
- Manifolds can be easily serviced using standard tools.

## Valves

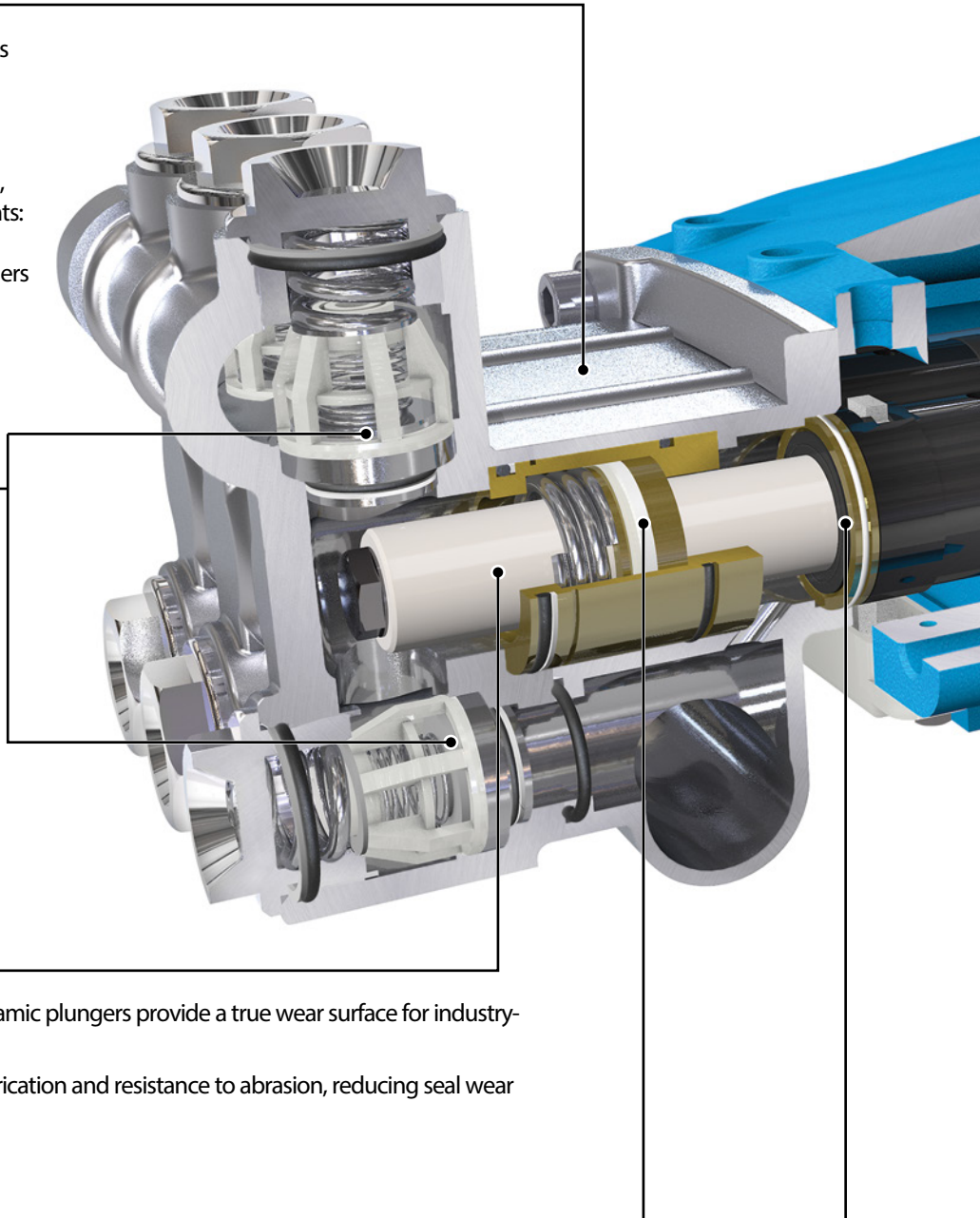
- Stainless steel valves, seats and springs provide corrosion resistance, positive seating and long life.
- Valves designed for fast and easy service without disassembly of pump.
- Valve clearances designed for low pressure loss, preventing cavitation and improving pump efficiency.

## Plungers

- Concentric, high-density, polished, solid ceramic plungers provide a true wear surface for industry-leading longest life.
- Graphite-impregnated surfaces provide lubrication and resistance to abrasion, reducing seal wear for long trouble-free operation.

## Seals

- Specially formulated, Cat Pumps exclusive high-pressure/V-Packing seal material and design offer unmatched performance and seal life.
- Cat Pumps original 100% wet seal design adds to service life by allowing pumped liquid to pass from inlet side through a chamber to lubricate and cool the backside of the V-Packing and spring-side of low-pressure seal. No external lubrication or oilers required.
- A variety of optional seals/elastomers are available to handle special applications.



## Crankcase

- High-strength, lightweight die cast aluminum crankcase with splash oil design allows operation at speeds as low as 100 rpm.
- Exclusive two-coat electrostatic spray coating (synthetic resin primer + alkyd resin) provides superior finish compared to anodizing; resists water and is highly suitable for humid and acidic environments.

## Crankshaft

- Chrome-moly forging provides exceptional strength for high durability and long life.
- Three journals with shoulder prevent lateral drift, reducing wear on plunger. Superior alignment is maintained by centering on two carrier bearings.
- Cat Pumps crankshaft is designed to be the longest-lasting mechanical drive available in high-pressure triplex pumps.

## Bearings

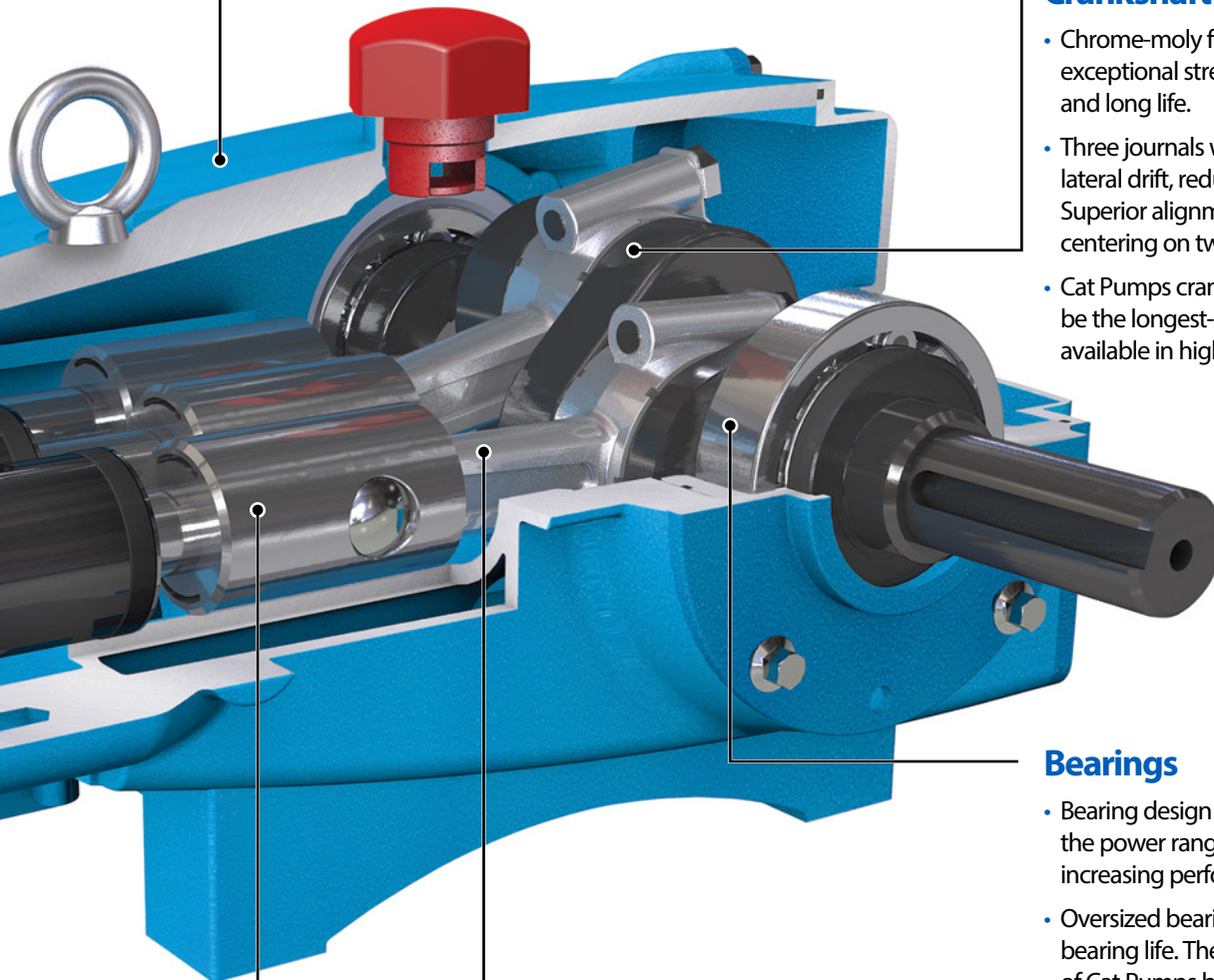
- Bearing design and style are optimized for the power range of each pump frame size, increasing performance and reliability.
- Oversized bearings greatly extend bearing life. The mechanical integrity of Cat Pumps bearing design is unmatched in the industry.

## Connecting Rods

- Matched oversized connecting rods are made of a special high-strength material blend, recognised for its excellent castability and long term dimensional stability.
- Material blend provides excellent dampening capacity and vibration attenuation – excellent for connecting rod material.
- Hardened material and robust design reduces wear; no inserts required in journal bearings.

## Plunger Rods

- High tensile strength stainless steel with Zamak crossheads for strength and superior wear qualities.
- Guided plunger rod heads, traveling shorter stroke distances in oil flooded lubrication, create less wear than competitive designs.
- The crankcase crosshead area is concentric with 360° plunger rod support, and features drilled-through oil port to lubricate front side of crosshead area.



# Industry Leading Customer Service

## Customer Service

In addition to receiving the highest quality products available, Cat Pumps customers also enjoy the following benefits:

- Products in stock for off-the-shelf shipping
- Worldwide distribution network for local service and genuine Cat Pumps products
- Experienced staff on call to assist with inquiries, from designing systems to troubleshooting



## Resources at [catpumps.co.uk](http://catpumps.co.uk)

Cat Pumps website is your complete resource centre for products, technical information, distributor locations and more.

- Product training and servicing information
- Complete technical literature library
- Troubleshooting and FAQ's
- Case Studies
- Market and application information



**CAT PUMPS (U.K.) LTD.**  
1 FLEET BUSINESS PARK, SANDY LANE, CHURCH CROOKHAM  
FLEET, HAMPSHIRE GU52 8BF, ENGLAND  
P: +44 1252 622031 • F: +44 1252 626655 •  
[sales@catpumps.co.uk](mailto:sales@catpumps.co.uk) • [technical@catpumps.co.uk](mailto:technical@catpumps.co.uk) • [www.catpumps.co.uk](http://www.catpumps.co.uk)