

Energy-saving high-pressure pump package designed for single gun/lance wash down systems

The Mini-Wash from Cat Pumps is a single gun pressure wash system utilising the highly reliable and long lived Cat Pumps high pressure plunger pumps within a highly compact 'plug and play' unit. The Mini-Wash is designed for commercial and industrial applications such as car wash vehicle pre-cleaning and local equipment wash down applications. Mini-Wash comes complete on a baseplate with motor, Cat Pump and integrated control box.



Features:

- Cat Pumps high-pressure plunger pumps
- Regulating unloader valve
- Pressure gauge
- Flow switch
- Motor protection switch
- Operating hours counter
- Base plate
- 3 m cable with 16 Ampere CEE norm connector
- Compact design with control system mounted directly onto motor

Benefits:

- Highly reliable, low energy consuming, easy to service pump
- Pressure control with energy and system savings achieved through by-passing flow at low-pressure when there is zero demand
- Immediate response to demand to deliver high-pressure water
- 'No flow' dry run protection for pump
- Low noise operation
- Space saving compact design
- Adjustable time delay for automatic pump standby mode, saving energy when there is no demand

Mini-Wash Operation

The Mini-Wash is a self-contained high-pressure washer system that automatically reacts to the demand of a water lance or gun as follows:

- With a decrease of pressure (i.e., trigger of gun/lance is pulled) the unit will switch on automatically and pump high-pressure water at the pre-configured flow and pressure to the lance or gun.
- If the gun is then shut off the pump unit will turn off within a time delay of 3-30 seconds (adjustable) and will be on standby.
- The unit restarts immediately after the gun is used again.
- Dry run protection prevents the unit from starting if the water supply is interrupted.

Specifications

Model	Flow Rate l/min	Pressure bar	RPM min ⁻¹	Max Water Temp °C	Motor Power kW
300	10	150	1450	70	4
310	15	150	970	70	4
340	13	150	1450	70	4
350	15	150	1450	70	4
5CP3120	15	200	1450	70	5,5
5CP5120	19	150	1450	70	5,5
5CP6120	23	110	1450	70	5,5
5CP6190	31	90	1450	70	5,5
5CP6190	21	100	970	70	4
5CP4120	14	200	1450	70	5,5
5CP5140	20	140	1450	70	5,5
7CP6170	27	100	970	70	5,5

Dimensions

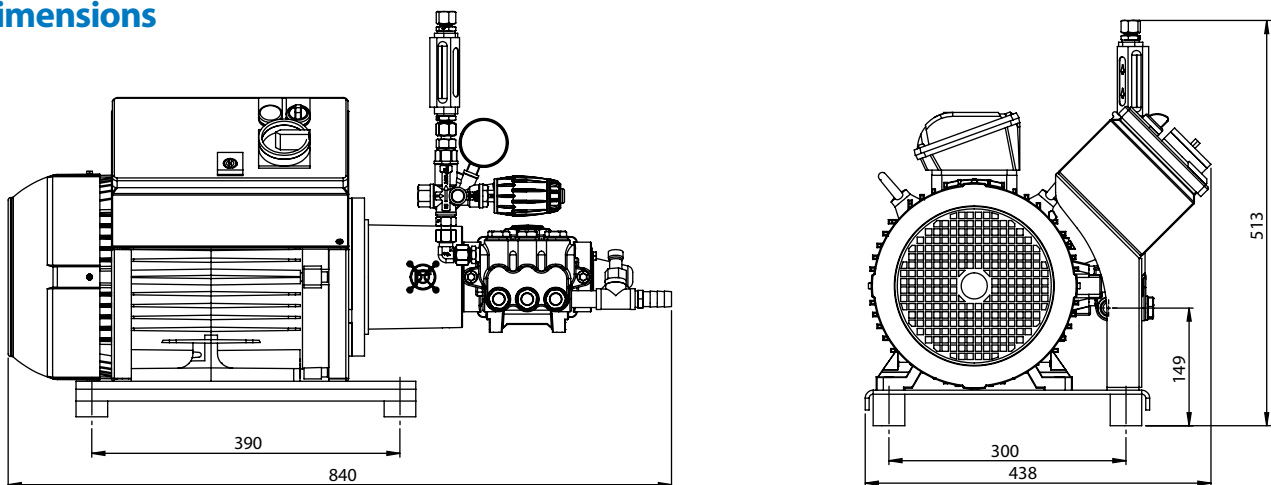


Illustration Model 310

⚠ WARNING

All systems require both a primary pressure regulating device (i.e. regulator or unloader) and a secondary pressure safety relief device (e.g. safety valve, pop-off valve etc.). Failure to install such relief devices could result in personal injury or damage to the pump or to system components. Cat Pumps does not assume any liability or responsibility for the operation of a customer's high pressure system.



CAT PUMPS (U.K.) LTD.

1 FLEET BUSINESS PARK, SANDY LANE, CHURCH CROOKHAM
FLEET, HAMPSHIRE GU52 8BF, ENGLAND

P: +44 1252 622031 • F: +44 1252 626655

sales@catpumps.co.uk • technical@catpumps.co.uk • www.catpumps.co.uk